

REVISION

REV.F - MOVE POWER HOLE & SQUARE OFF CORNERS

REV.G - ADDITIONAL DB9 HOLES

JOB NAME

DELTA AUTOMATION MAINBOX

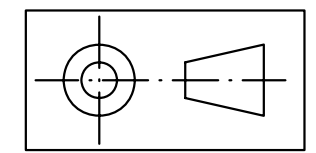
DRAWING TITLE

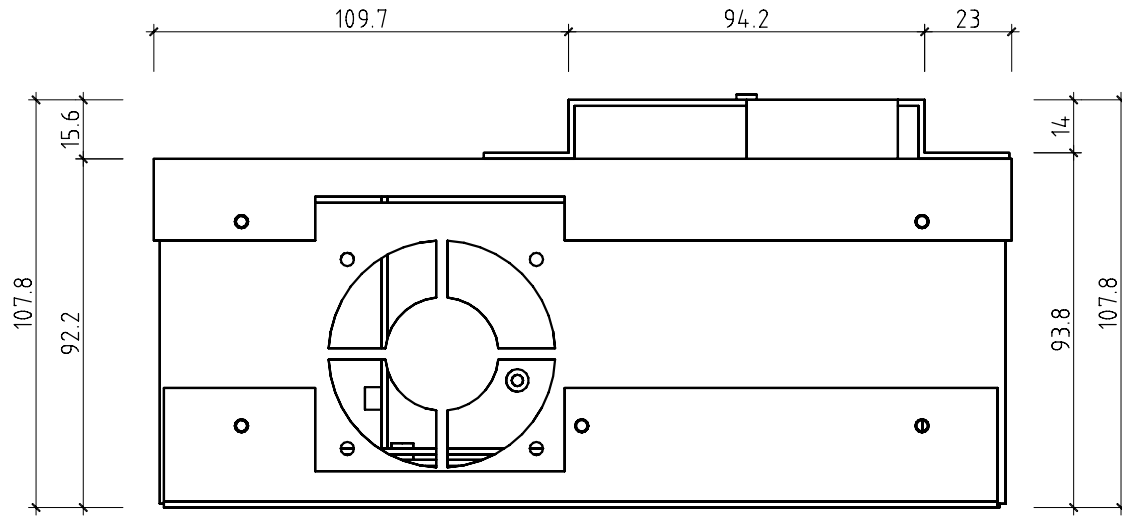
OVERALL DIMENSIONS

DRAWN	DATE	SCALE
dv	OCT 2005	1:2
SHEET 1 OF 2		REVISION
		G

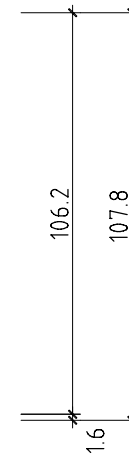
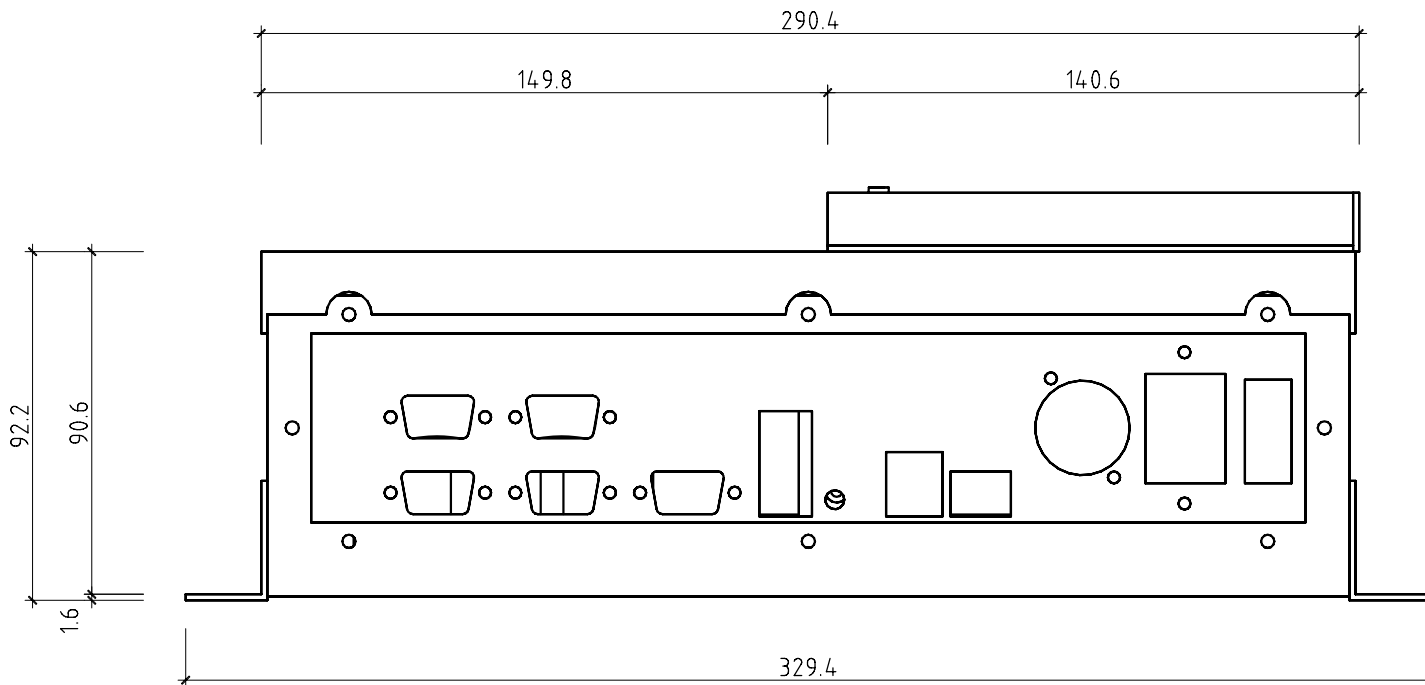
0 10 20 30 40 50 1:2 AT A4

01 PLAN VIEW





02 SIDE VIEW



01 FRONT VIEW

REVISION  
 REV.F - MOVE POWER HOLE &  
 SQUARE OFF CORNERS  
 REV.G - ADDITIONAL DB9 HOLES

JOB NAME  
 DELTA AUTOMATION  
 MAINBOX

DRAWING TITLE  
 OVERALL DIMENSIONS

DRAWN	DATE	SCALE
dv	OCT 2005	1:2

REVISION
G

SHEET 2 OF 2  
 1:2 AT A4

